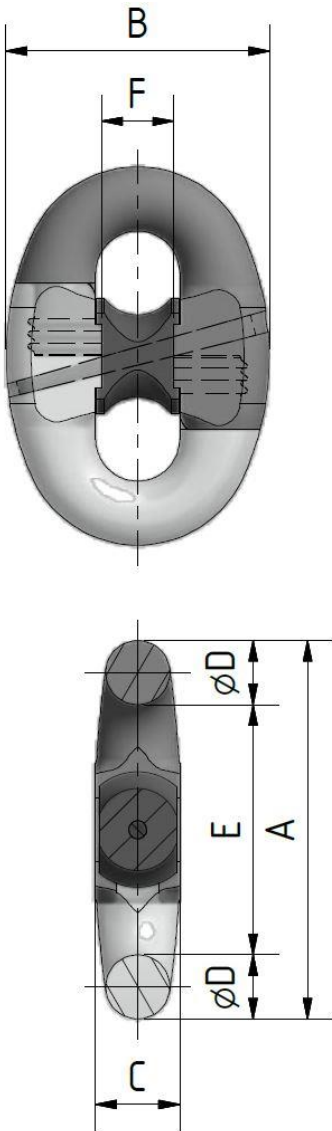


Kenter Type Connection



Trident Thin Shackle

Offshore accessory to be used for Temporary and Mobile Mooring



chain dia.	A	B	C	D	E	F	R4 PL kN	R4 MBL kN	R4S PL kN	R4S MBL kN
70	420	294	91	70	280	79	4064	5156	4516	5720
72	432	302	94	72	288	81	4282	5432	4758	6026
74	444	311	96	74	296	84	4504	5714	5005	6339
76	456	319	99	76	304	86	4731	6001	5257	6658
78	468	328	101	78	312	88	4962	6295	5514	6984
80	480	336	104	80	320	90	5198	6594	5775	7315
82	492	344	107	82	328	93	5438	6898	6042	7653
84	504	353	109	84	336	95	5682	7208	6313	7997
86	516	361	112	86	344	97	5930	7522	6589	8346
88	528	370	114	88	352	99	6182	7842	6869	8701
89	534	374	116	89	356	101	6310	8004	7011	8881
90	540	378	117	90	360	102	6439	8167	7154	9062
92	552	386	120	92	368	104	6699	8497	7443	9428
94	564	395	122	94	376	106	6962	8832	7736	9799
95	570	399	124	95	380	107	7096	9001	7884	9987
96	576	403	125	96	384	108	7230	9171	8033	10176
98	588	412	127	98	392	111	7501	9515	8335	10557
100	600	420	130	100	400	113	7776	9864	8640	10944
102	612	428	133	102	408	115	8054	10217	8949	11336
105	630	441	137	105	420	119	8478	10754	9420	11932
108	648	454	140	108	432	122	8909	11301	9899	12538
114	684	479	148	114	456	129	9791	12420	10879	13780
117	702	491	152	117	468	132	10242	12993	11380	14415
120	720	504	156	120	480	136	10700	13573	11889	15059
127	762	533	165	127	508	144	11789	14955	13099	16592
133	798	559	173	133	532	150	12746	16169	14163	17939
146	876	613	190	146	584	165	14881	18877	16534	20944
152	912	638	198	152	608	172	15890	20156	17655	22363



Type approved by:

DNV-GL

Application:

Temporary and Mobile Mooring

Manufactured & Tested: in Germany by Feubo

Material:

Forged Steel - Grade R3, R3S, R4

Features:

Slim Kenter Shackles available with Fastlock option